



**Marina
Shower stretcher**



6100 2300 / 6100 2350

Marina Shower stretcher



hydraulic: 6100 2300 / electric: 6100 2350

Marina Shower stretcher

Properties

- Wide stable wheelbase.
- Extremely light frame made of aluminium.
- Large diameter wheels (Ø 4.92 in).
- Height-adjustable, hydraulically or electrically operated.
- Ergonomic pump action for height adjustment.
- If electrically operated: fitted with an emergency descent switch, emergency brake and user-friendly charger.
- Simple and safe control of side rails with locking.
- Includes mattress, pillows and outlet hose.
- Corrosion resistant through coated aluminium, stainless steel, plastic and galvanised parts.
- Streamlined finish for optimal cleaning.

Technical details

High / low drive	Hydraulic or electric, push-only
Manual control	2-key handset with suspension-hook, IP66
Control box	24VDC, max. 250 W, IP65
Emergency brake	Push button with rotation lock
Battery	2 x 12V, 7Ah
Battery charger	220V 50/60Hz 500 mA
Emergency descent switch	Stick shift, directly from the control box
Complete electrical system	IP65
Diameter of wheels	4.92 in
Side rails	turnable, requires both hands when opening

Dimension / weight

external dimensions	82.3 x 32.3 x 24.4/45.7 in (l x w x h)
Top surface net area	approx. 74.8 x 25.6 in
Mattress edge height	approx. 7.9 in
Lying surface height	minimum: approx. 17.7 in maximum: approx. 39 in
Water discharge hose	internal Ø 1.57 in
Wheel base	55.1 in
Wheel gauge	24.8 in
Clearance space	7.1 in
Weight	150 lbs
Weight capacity	396 lbs maximum



Suitable for bariatric clients to 180 kg.



Optional: half central inhibited.



Handcontrol with battery indicator.



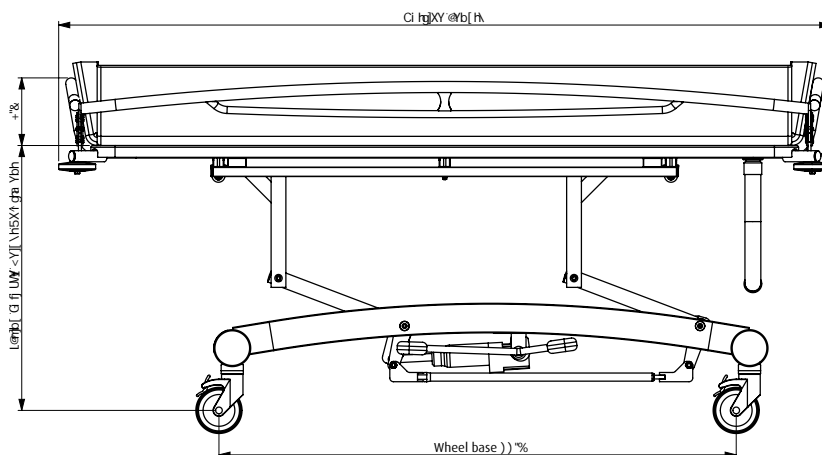
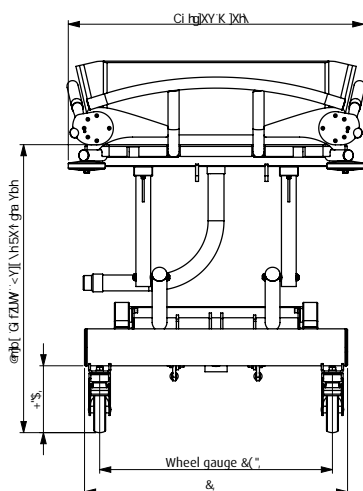
Marina hydraulic.



Marina electric.

Technical specifications

Product no.	Product Description	Outside Length	Outside Width	Inside length	Inside width	lying surface height adjustment	Max. load kg	Max. load lbs	Product weight in kg	Product weight in lbs
6100 2300	Marina Shower stretcher hydraulic	82	32	75	26	18 - 39	180	400	68	150
6100 2305	Marina Shower stretcher hydraulic	82	36	75	30	18 - 39	180	400	74	163
6100 2310	Marina Shower stretcher hydraulic half centr	82	32	75	26	18 - 39	180	400	76	167
6100 2320	Marina Shower stretcher hydraulic	74	32	67	26	18 - 39	180	400	76	167
6100 2350	Marina Shower stretcher electric	82	32	75	26	18 - 39	180	400	75	165
6100 2355	Marina Shower stretcher electric	82	36	75	30	18 - 39	180	400	78	172
6100 2385	Marina Shower stretcher electric	86	36	81	30	18 - 39	180	400	80	176



Shower stretchers

