



Creating balance in healthcare



Tango Shower-toilet chair



5100 5700

Tango Shower-toilet chair

5100 5700

Tango Shower-toilet chair

The Lopital Tango is a shower assistive device providing client/resident care and bathing in a responsible manner. The Tango provides optimum comfort for the caregiver as well as the resident/client.

The Tango can be used as a showerchair as well as a toiletchair that can be wheeled over the toilet. The many options and attractive design makes the Tango chair a nice-looking and user-friendly product.

The Tango shower-toiletchair has undergone some changes. The footrests are now easily flipped up and swung away.

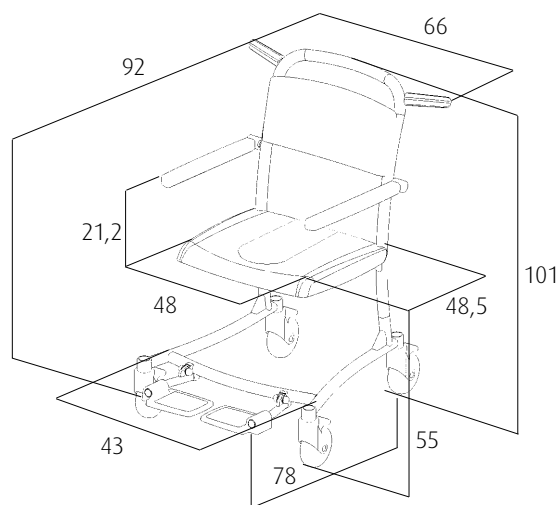
This makes it easier to get into and out of the chair. The Tango is equipped with handles that improve maneuverability and drivability. The ergonomic handle design has the advantage of preventing joint problems.

- Drivability
- Foldable armrests
- Lockable plastic swivel castors, stainless steel wheel housings
- Pur seat with toilet opening
- Rail for toilet bucket or bedpan
- Foldable and swingaway footrests
- Can be wheeled over the toilet
- Rilsan coated frame
- 180 kg maximum weight capacity
- Optional: Frontlocking armrests



6950 1104 Bedpan.

Dimensions in cm



For more information, visit our website at www.lifecareassoc.com

LifeCare Associates, Inc. 7877 L Street, Omaha, NE 68127

Tel (800) 333-8249 or (402) 467-1428, Fax (402) 467-1537, Email sales@lifecareassoc.com

